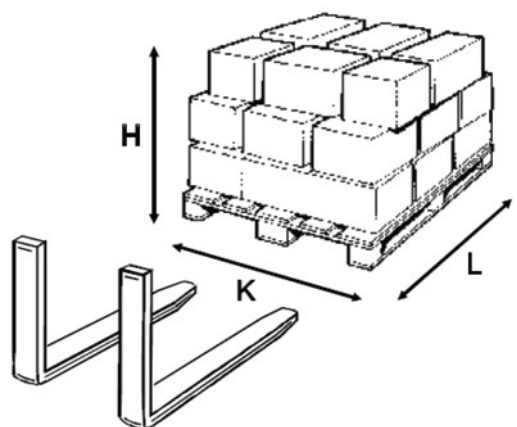
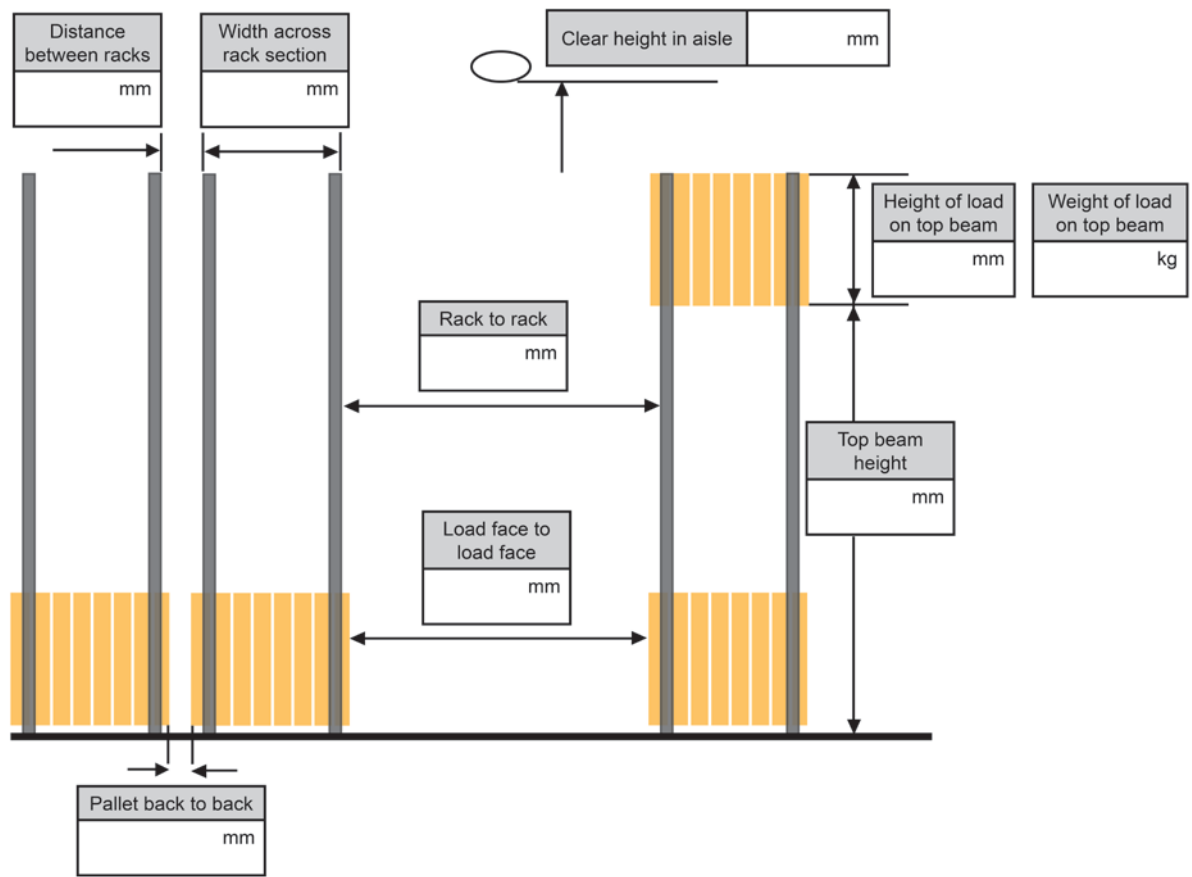


VNA Customer Site Survey Form – VCE & VRE

Please note - For full truck performance - suitable pallet housekeeping and the correct floor specification is required.

Contact Name		Salesperson	
Company name		Date of Survey	
Depot Location		Type of Application	

Application - Dimensions



Side handling			
Pallet width (K)			mm
Pallet length (L)			mm
Load width max inc overhang (K)			mm
Load length max inc overhang (L)			mm
Maximum load height (H)			mm
Maximum load weight			kg
Are there any other load weight requirements to specific lift heights?			
For special width pallets what is the required fork spread?	Min		mm
	Max		mm

Truck Type						
Truck Type				Quantity		
Guidance						
Type of guidance				<i>If the choice is rail – complete the rest of this section. Note – The rail in the aisle must be continuous. There should be no break for pedestrian walkways etc.</i>		
Distance between rails (mm)						
Bolts towards				Rail height (mm)		
Floor specification in aisle						
Floor to TR34 DM1 (Superflat)				Floor to TR34 DM3 (Cat 2)		
Floor to TR34 DM2 (Cat 1)				Floor survey required		
Application						
Transfer aisles (clear)	mm			Rotate load in aisles	Yes	No
Number of aisles				Cold store (VR only)	Yes	No
Approx. length of aisles	mm			Is battery change required	Yes	No
Are the aisles blind	Yes	No		Order picking	Yes	No
Working door height	mm			Order picking off top beam	Yes	No
Installation door height	mm			High productivity site	Yes	No
Is racking boarded	Yes	No		Sprinklers between the pallets?	Yes	No
New truck details						
Chassis width	mm			Cab width	mm	
Total lift height	mm			Platform height	mm	
Auxiliary lift height	mm			Battery capacity	Ahc	
Lift height limit	mm					
Aisle recognition	Magnet		Photocell on guide rail		Other	
Options						
Comments						
PLEASE TAKE PHOTO'S OF THE APPLICATION FOR SITES OPERATING COMPETITOR TRUCKS SEE PAGE 4						
Customer signature						
Print name				Position		

THIS SECTION SHOULD ONLY BE COMPLETED IF THE TRUCK(S) ARE TO RUN ALONGSIDE OTHER COMPETITOR TRUCKS.

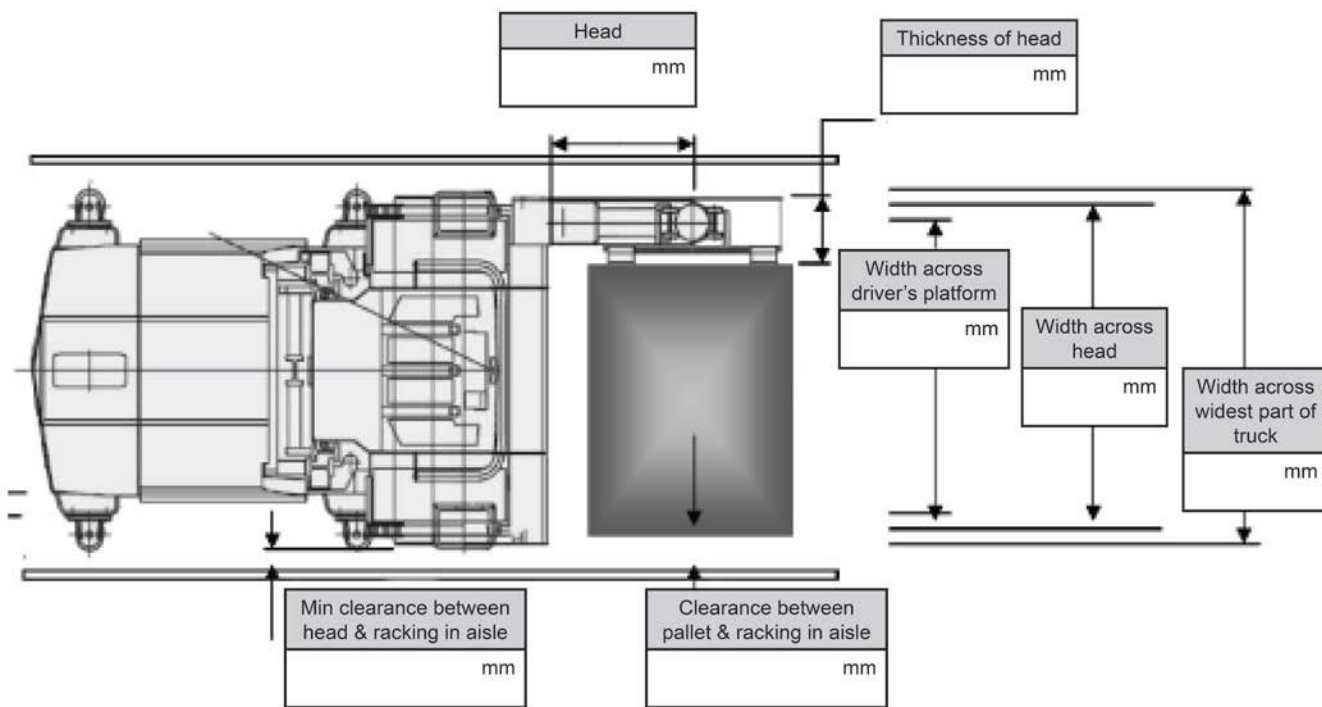
Competitor Truck Details

Manufacturer		Model		Serial No	
Lift height	mm	Platform height	mm	Capacity	mm
Total fork length	mm	Thickness of block on heel of fork			mm
Has the floor in the aisle been ground to suit the competitor's trucks wheel tracks?				Yes	No

For wire guided applications

Frequency of wire	KHz	Current of wire	mA
Make and model of line driver			

Note- If not known please arrange for service to visit the site and measure the wire frequency and current



On the sketch below, please indicate the magnet positions at both ends of the aisles. Magnet position to be measured from end of aisle and centre line of aisle to the centre of the magnet.

Type of magnet	Single pole	Twin pole	
-----------------------	-------------	-----------	--

Please Note: Use the pen tools in Adobe Reader to add notes



MATERIAL HANDLING

I_Site Signal Test

Company Name		Salesperson Name	
I_Site included in Package		New I_site user/site	Y/N
Smart Access	Y/N	Customers Own Card/Fob	
Customer I_Site Admin Name		Customer I_Site Admin Email	
GDPR Controller / Responsible: Name		GDPR Controller / Responsible: eMail	

•To test send an email to: I-Site.test@uk.toyota-industries.eu,

- Name the areas where you are carrying out the tests, on the subject line type the area name / test number
- If you have a reply within 60 seconds then register signal strength (using the key below)
- If not register no signal
- Mark accordingly the results - ideally in four corners and centre, ensuring you test any further in chambers within.
- Mark door locations as required – see check boxes in blue diagram

• Any negative results must be discussed with the customer and if necessary a full briefcase test by Service Support Manager can be done to ensure a more accurate result

Signal Test Location 1 – Area Name e.g. warehouse, yard														
Point 1	Point 2	Point 3	Point 4	Point 5	<table border="1"> <tr> <td>1</td> <td><input type="checkbox"/></td> <td>2</td> </tr> <tr> <td><input type="checkbox"/></td> <td>3</td> <td><input type="checkbox"/></td> </tr> <tr> <td>4</td> <td><input type="checkbox"/></td> <td>5</td> </tr> </table>	1	<input type="checkbox"/>	2	<input type="checkbox"/>	3	<input type="checkbox"/>	4	<input type="checkbox"/>	5
1	<input type="checkbox"/>	2												
<input type="checkbox"/>	3	<input type="checkbox"/>												
4	<input type="checkbox"/>	5												
Signal Test Location 2 – Area Name e.g. warehouse, yard														
Point 6	Point 7	Point 8	Point 9	Point 10	<table border="1"> <tr> <td>6</td> <td><input type="checkbox"/></td> <td>7</td> </tr> <tr> <td><input type="checkbox"/></td> <td>8</td> <td><input type="checkbox"/></td> </tr> <tr> <td>9</td> <td><input type="checkbox"/></td> <td>10</td> </tr> </table>	6	<input type="checkbox"/>	7	<input type="checkbox"/>	8	<input type="checkbox"/>	9	<input type="checkbox"/>	10
6	<input type="checkbox"/>	7												
<input type="checkbox"/>	8	<input type="checkbox"/>												
9	<input type="checkbox"/>	10												
Signal Test Location 3 – Area Name e.g. warehouse, yard														
Point 11	Point 12	Point 13	Point 14	Point 15	<table border="1"> <tr> <td>11</td> <td><input type="checkbox"/></td> <td>12</td> </tr> <tr> <td><input type="checkbox"/></td> <td>13</td> <td><input type="checkbox"/></td> </tr> <tr> <td>14</td> <td><input type="checkbox"/></td> <td>15</td> </tr> </table>	11	<input type="checkbox"/>	12	<input type="checkbox"/>	13	<input type="checkbox"/>	14	<input type="checkbox"/>	15
11	<input type="checkbox"/>	12												
<input type="checkbox"/>	13	<input type="checkbox"/>												
14	<input type="checkbox"/>	15												
Signal Test Location 4 – Area Name e.g. warehouse, yard														
Point 16	Point 17	Point 18	Point 19	Point 20	<table border="1"> <tr> <td>16</td> <td><input type="checkbox"/></td> <td>17</td> </tr> <tr> <td><input type="checkbox"/></td> <td>18</td> <td><input type="checkbox"/></td> </tr> <tr> <td>19</td> <td><input type="checkbox"/></td> <td>20</td> </tr> </table>	16	<input type="checkbox"/>	17	<input type="checkbox"/>	18	<input type="checkbox"/>	19	<input type="checkbox"/>	20
16	<input type="checkbox"/>	17												
<input type="checkbox"/>	18	<input type="checkbox"/>												
19	<input type="checkbox"/>	20												
Choose option	Choose option	Choose option	Choose option	Choose option										
Signal Test Location 5 – Area Name e.g. warehouse, yard														
Point 21	Point 22	Point 23	Point 24	Point 25	<table border="1"> <tr> <td>21</td> <td><input type="checkbox"/></td> <td>22</td> </tr> <tr> <td><input type="checkbox"/></td> <td>23</td> <td><input type="checkbox"/></td> </tr> <tr> <td>24</td> <td><input type="checkbox"/></td> <td>25</td> </tr> </table>	21	<input type="checkbox"/>	22	<input type="checkbox"/>	23	<input type="checkbox"/>	24	<input type="checkbox"/>	25
21	<input type="checkbox"/>	22												
<input type="checkbox"/>	23	<input type="checkbox"/>												
24	<input type="checkbox"/>	25												
Choose option	Choose option	Choose option	Choose option	Choose option										
Signal Test Location 6 – Area Name e.g. warehouse, yard														
Point 26	Point 27	Point 28	Point 29	Point 30	<table border="1"> <tr> <td>26</td> <td><input type="checkbox"/></td> <td>27</td> </tr> <tr> <td><input type="checkbox"/></td> <td>28</td> <td><input type="checkbox"/></td> </tr> <tr> <td>29</td> <td><input type="checkbox"/></td> <td>30</td> </tr> </table>	26	<input type="checkbox"/>	27	<input type="checkbox"/>	28	<input type="checkbox"/>	29	<input type="checkbox"/>	30
26	<input type="checkbox"/>	27												
<input type="checkbox"/>	28	<input type="checkbox"/>												
29	<input type="checkbox"/>	30												
Choose option	Choose option	Choose option	Choose option	Choose option										